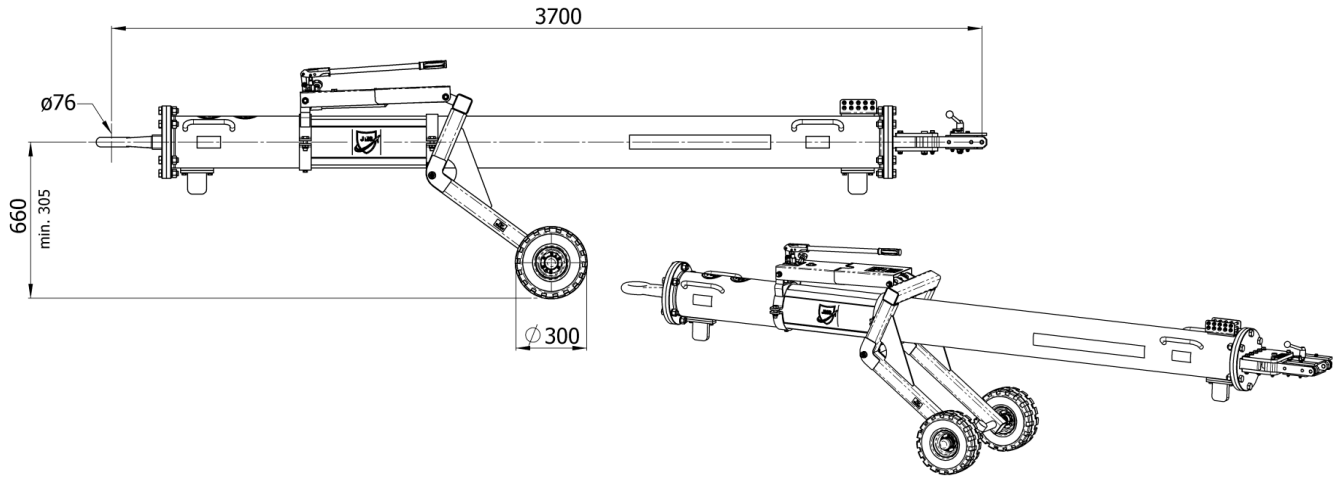


J-TOWversa2



Standard features:

- Lock-pin Towhead
- 2xShearpins for Push/Pull / torque mounted (add. as spare parts incl.: 4xShearpins type "P1")
- 1xRetaining pin
- Air-inflated tires
- Hydraulically height adjustable undercarriage
- Steel tube
- Skydrol resistant paint
- Standard colors: yellow RAL 1007 (tube), black RAL 9004 (undercarriage)

Net weight:

- 267 kg / 589 lbs

Aircraft application:

- B707
 - B727
 - A300/310 *
- *see also p/n J-TOWhead-A15 for Clamp type Towhead

Options (at extra charges):

- Puncture-proof (full rubber) tires → Option R3
- Tires ø400mm for easier B707 handling Air-inflated → Option R3-4
- Puncture-proof → Option R4
- Floating axle → Option AV
- Revolving tow head ± 10° → Option AD
- Revolving toweye → Option AP
- Revolving toweye with sh. absorber → Option AA
- Customized color for towbar tube i.a.w. RAL coding scheme → Option A-RAL

Documentation:

- Technical manual incl. illustrated spare parts list
- COC Certificate of Conformity
- CE Declaration of Conformity (if applicable)

Shear pins / Retaining pin:

Multi-functional shear pins / A300/310 L:

- 00.40100.0016 "P1" Push/Pull and Torque

For exclusive application at B707:

- 00.40110.0016 "AA" Push/Pull and Torque

For exclusive application at B727:

- 00.40120.0016 "AB" Push/Pull and Torque

General shear pin:

- 00.40100.0018 "P1-FB" Retaining pin

Shipping information incl. packing (dismantled):

Approx. Weight	Approx. shipping Dims l x w x h	Approx. Volume
[kg]	[mm]	[m³]
383	4100 x 1050 x 965	4,2
[lbs]	[inch]	[ft³]
844	161 x 41 x 38	148