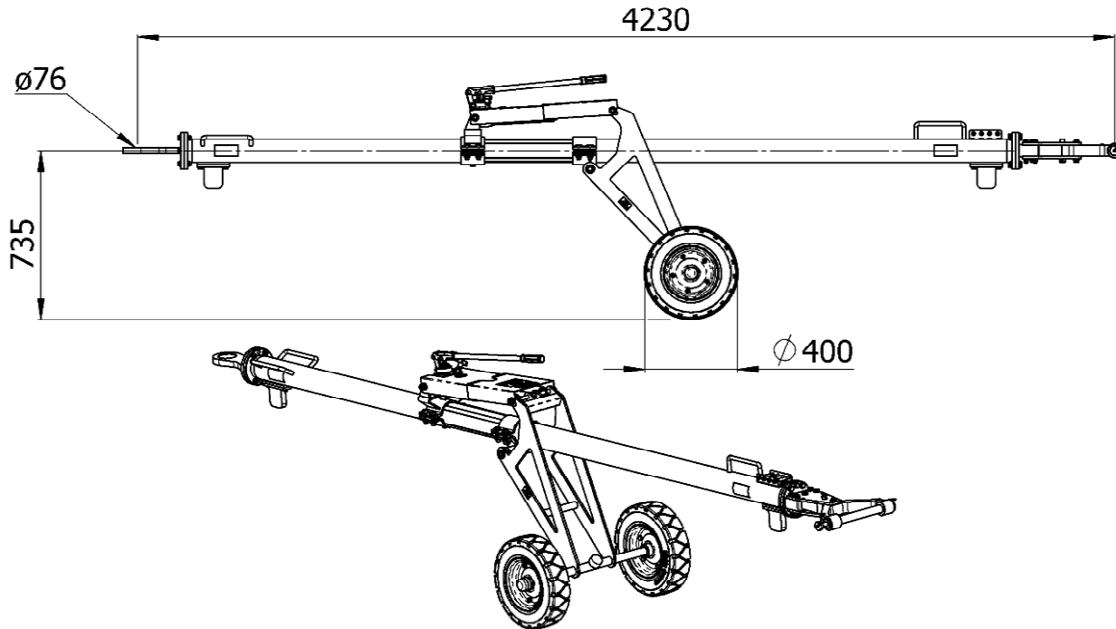




J-TOW24



Standard features:

- Push/Pull and torque shear pin
- 4 spare shear pins included
- Retaining pin
- Air-inflated tires
- Hydraulically height adjustable undercarriage
- Steel tube
- Skydrol resistant paint
- Standard colors: yellow RAL 1007 (tube), black RAL 9004 (undercarriage)

Net weight:

- 140 kg / 308 lbs

Aircraft application:

- AN-24, 26, 32

Options (at extra charges):

- Puncture-proof (full rubber) tires
 → Option R4
- Revolving tow eye
 → Option CP
- Revolving tow eye with shock absorber
 → Option CA
- Customized color for towbar tube i.a.w. RAL coding scheme
 → Option C-RAL

Documentation:

- Technical manual incl. illustrated spare parts list
- COC Certificate of Conformity
- CE Declaration of Conformity (if applicable)

Shear pins / Retaining pin:

- 00.36780.0012 "B" Push/Pull
- 00.41070.0013 "AL" Torque
- 20-00830-0020-021 "AC-FB" Retaining pin

Shipping information incl. packing:

Approx. Weight	Approx. shipping Dims l x w x h	Approx. Volume
[kg] 256	[mm] 4350 x 1050 x 965	[m ³] 4,4
[lbs] 564	[inch] 171 x 41 x 38	[ft ³] 155